



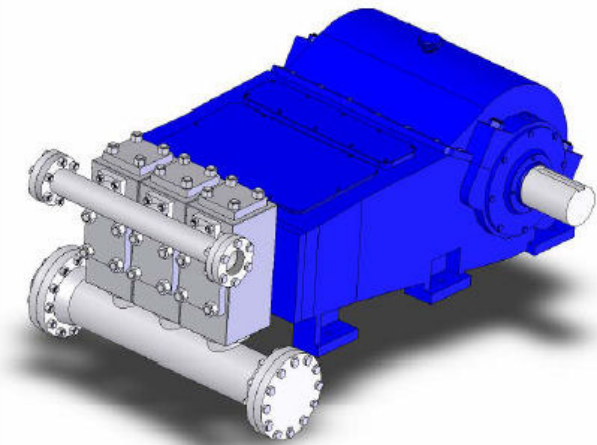
Drillers Mud Systems, LLC
P. O. Box 61340
Lafayette, Louisiana 70596
(337) 288-4809 fax (337) 988-3411



Weatherford
Model T425 Piston

Triplex Power Pump

The Weatherford Model T425 is a single acting triplex piston pump rated at 315 HP in continuous duty services and up to 350 HP in intermittent duty. This versatile pump is offered with a variety of material and design options that make is ideal applications pumping abrasive fluids like drilling mud or contaminated water. A liner wash system must be used in conjunction with this pump to achieve optimal service life of the pistons and liners.



Specifications

	Continuous	Intermittent
Rated Power.....	315 HP	350 HP
Maximum Speed.....	160 RPM	175 RPM
Minimum Speed.....	80 RPM	

	US Customary	Metric
Stroke Length	7.874 IN	200 MM
Rated Rod Load.....	29,700 LB	13,500 KG
Pump Weight	8,375 LB	3,800 KG
Oil Capacity	49 GAL	187 L
Maximum Fluid Temp.....	160°F	71°C
Mechanical Efficiency	90%	

Performance Ratings

Pump Model	Piston Size (IN)	Displacement (Gal/Rev)	Rated Pressure (PSI)	Rated Capacity (GPM)		
				Minimum	Continuous	Intermittent
T425-4.5IN	4.5	1.6264	1,870	130	260	285
T425-5.0IN	5	2.0079	1,510	161	321	351
T425-5.5IN	5.5	2.4295	1,250	194	389	425
T425-6.0IN	6	2.8913	1,050	231	463	506
T425-6.5IN	6.5	3.3933	900	271	543	594

Contact:

Wiley T. Brice
(337) 288-4809
wileytribrice@aol.com

or

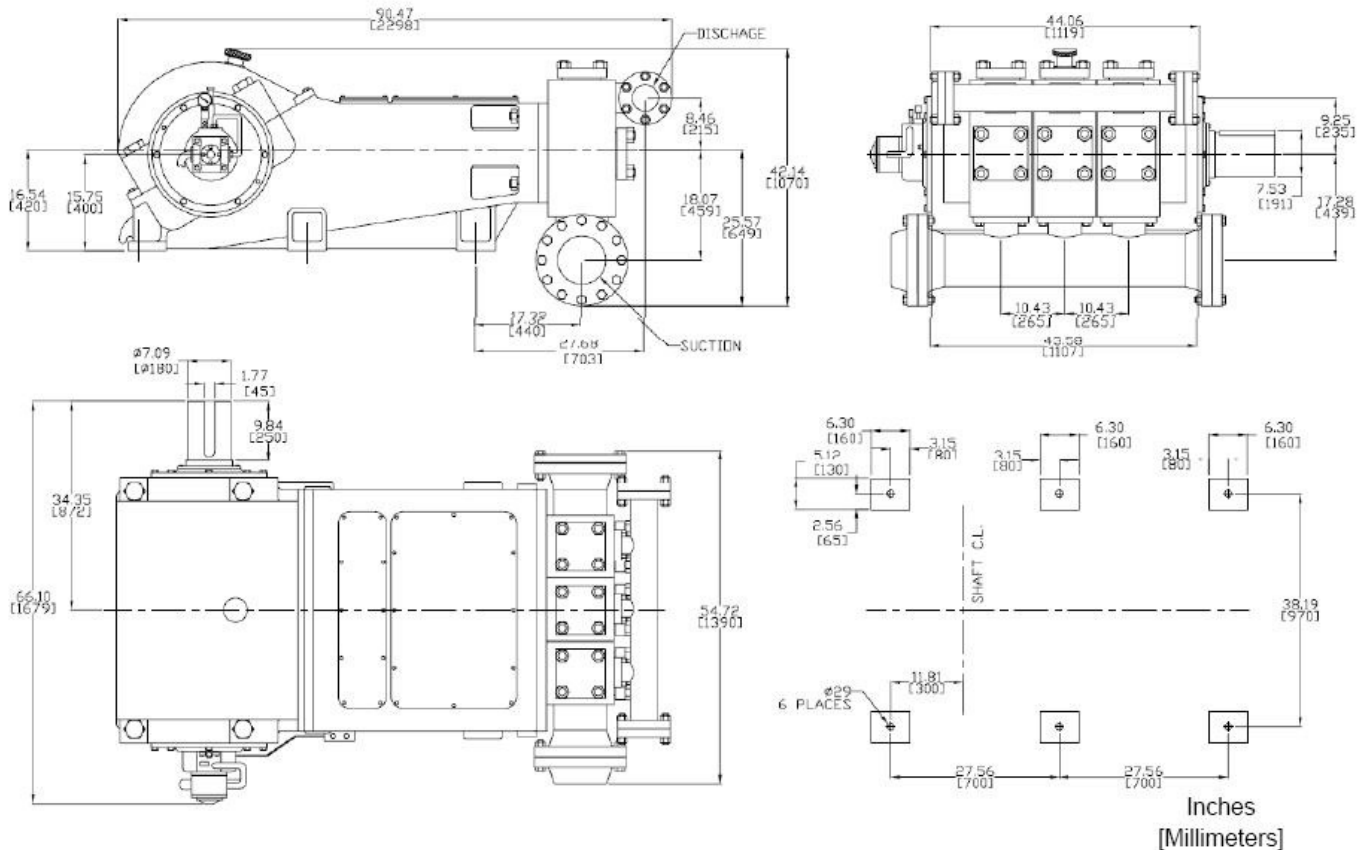
Tony Clark
(337) 349-2925
coatit1309@aol.com



Weatherford

Model T425 Piston

General Dimensions



Power Required: $HP = \frac{GPM \times PSI}{1543}$

Note:

1. Capacities shown based on 100% volumetric efficiency. Actual capacities will be lower based on discharge pressures and fluid properties.
2. Drawings shown are typical and should not be used for fabrication purposes.
3. Special designs and materials available for higher temperature operation.
4. Standard models shown. Other sizes and configurations may be available on request. Consult Weatherford for more details.



Drillers Mud Systems, LLC
 P. O. Box 61340
 Lafayette, Louisiana 70596
 (337) 298-3530 fax: (337) 988-3411

Weatherford products and services are subject to Weatherford's standard terms and conditions. For more information concerning the full line of Weatherford products and services, please consult your authorized Weatherford representative. Unless noted otherwise, trademarks and services noted herein are the property of Weatherford.

Contact

Wiley T. Brice
 (337) 288-4809
 wileybrice@aol.com

or

Tony Clark
 (337) 349-2925
 coatit1309@aol.com